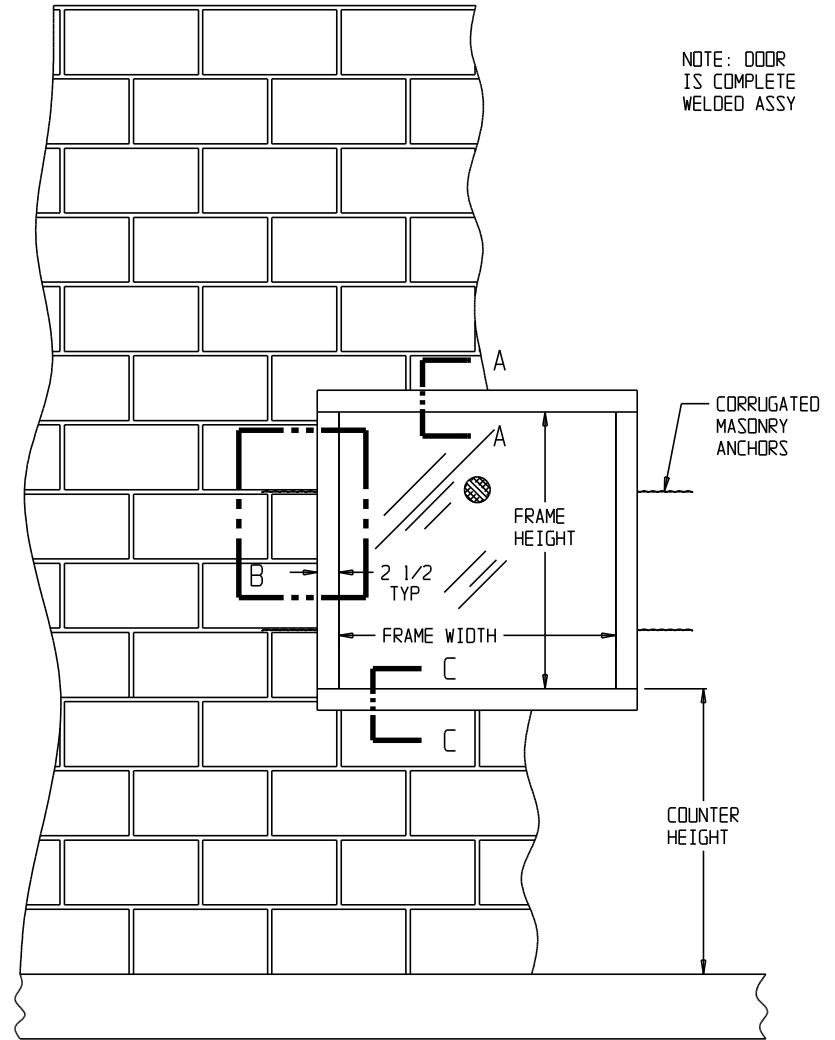
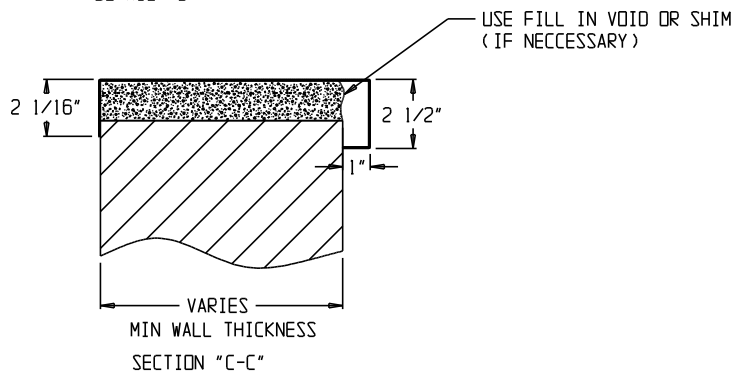


NOTE: AS WALL THICKNESS CHANGES, THE METHOD OF MASONRY INSTALLATION WILL CHANGE ACCORDINGLY. THIS DRAWING SHOULD BE USED ONLY AS A REFERENCE.



HOISTWAY TO BE BUILT BEFORE DUMBWAITER IS INSTALLED EXCEPT THE WALLS ARE TO BE OMITTED WHERE HOISTWAY DOORS OCCUR UNTIL THE DUMBWAITER IS INSTALLED & HOISTWAY DOORS ARE SET IN PLACE

TITLE: TYPICAL VARIATION OF MASONRY CONSTRUCTION WITH UL LISTED 1 1/2 HOUR RATED COUNTER LOADING SWING DUMBWAITER FIRE DOOR			LEVEL 2 1/9/06	
L.O. BY	DATE REQ			
APPROVED	PAINT			
DATE L.O.	SHEET 1 OF 1			
BORDER SCALE 1/16	# REQ'D	-B-	DWG NO. JJP 1000-727	JOB NO.